

EGRET SOLAR
YOUR SOLAR BUTLER

EGRET SOLAR
YOUR SOLAR BUTLER

EGRET SOLAR
YOUR SOLAR BUTLER

EGRET SOLAR
YOUR SOLAR BUTLER

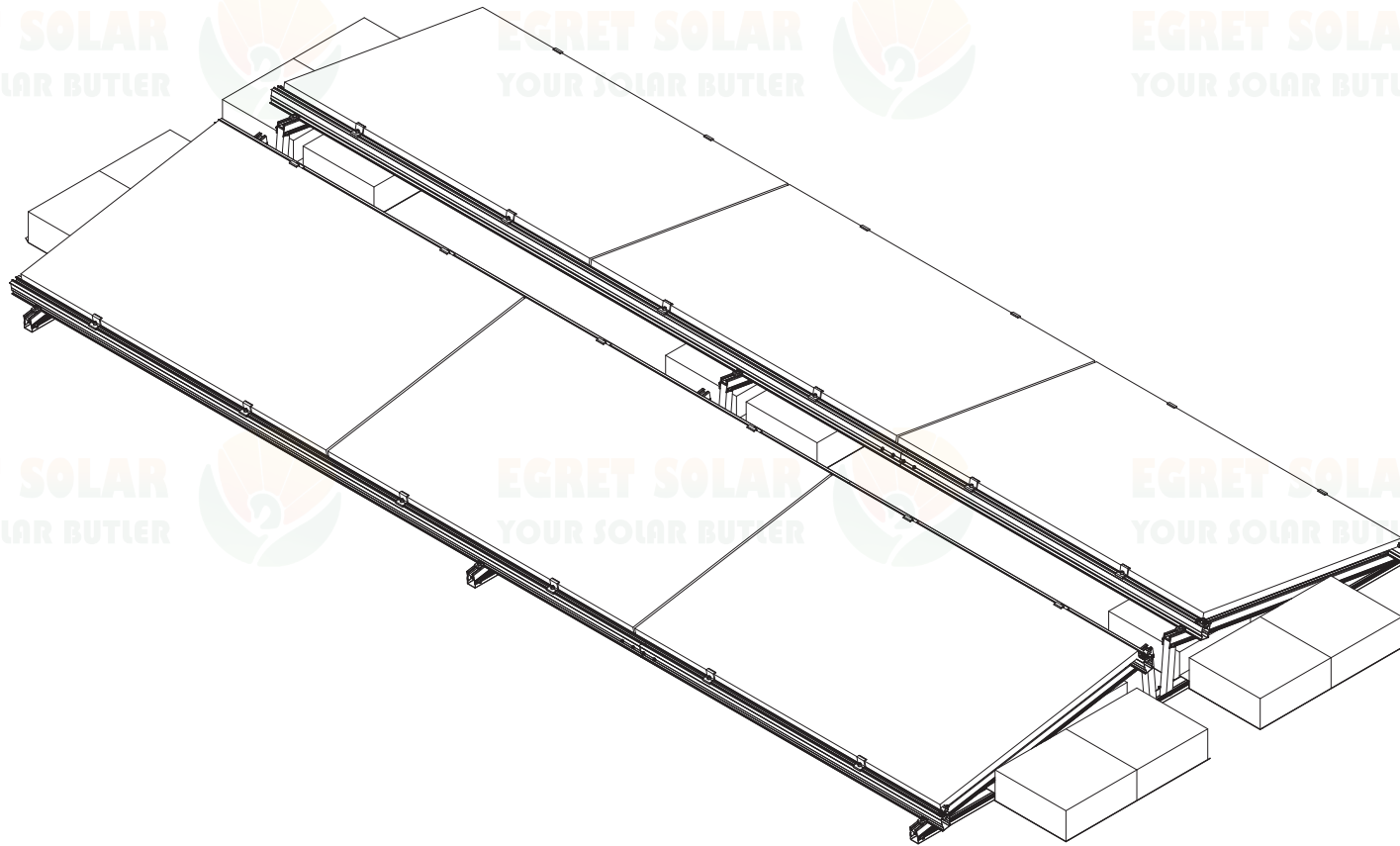
EGRET SOLAR
YOUR SOLAR BUTLER

EGRET SOLAR
YOUR SOLAR BUTLER


EGRET SOLAR
YOUR SOLAR BUTLER

EGRET SOLAR
YOUR SOLAR BUTLER

EGRET SOLAR
YOUR SOLAR BUTLER

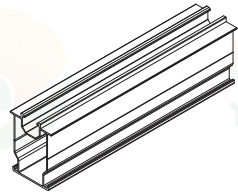


Version	Date	Approval	Change mark	Description of Change
A				

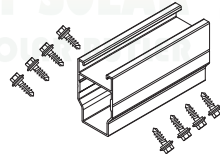
Project Name	Flat Roof Ballasted Solar Mounting System	Project No.	EG20088
Design		 厦门鹭伏特新能源科技有限公司 Xiamen Egret Solar New Energy Technology Co., Ltd	
Chk'D			
Appv'D			



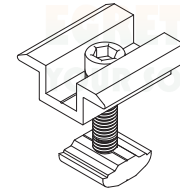
Pre-assembled tripod support



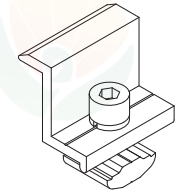
Rail



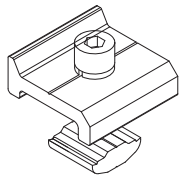
Rail Splice



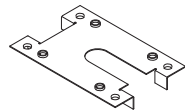
Mid Clamp



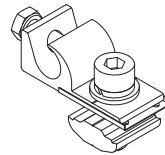
End Clamp



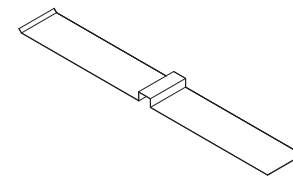
Rail Clamp



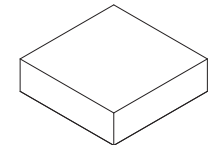
Grouding Clip



Grouding Lug




Ballast tray



Concrete (cement) block

Version	Date	Approval	Change mark	Description of Change
A				

Project Name	Flat Roof Ballasted Solar Mounting System	Project No.	EG20088
Design		 厦门鹭伏特新能源科技有限公司 Xiamen Egret Solar New Energy Technology Co., Ltd	
Chk'D			
App'V'D			

EGRET SOLAR
YOUR SOLAR BUTLER

EGRET SOLAR
YOUR SOLAR BUTLER

EGRET SOLAR
YOUR SOLAR BUTLER

EGRET SOLAR
YOUR SOLAR BUTLER

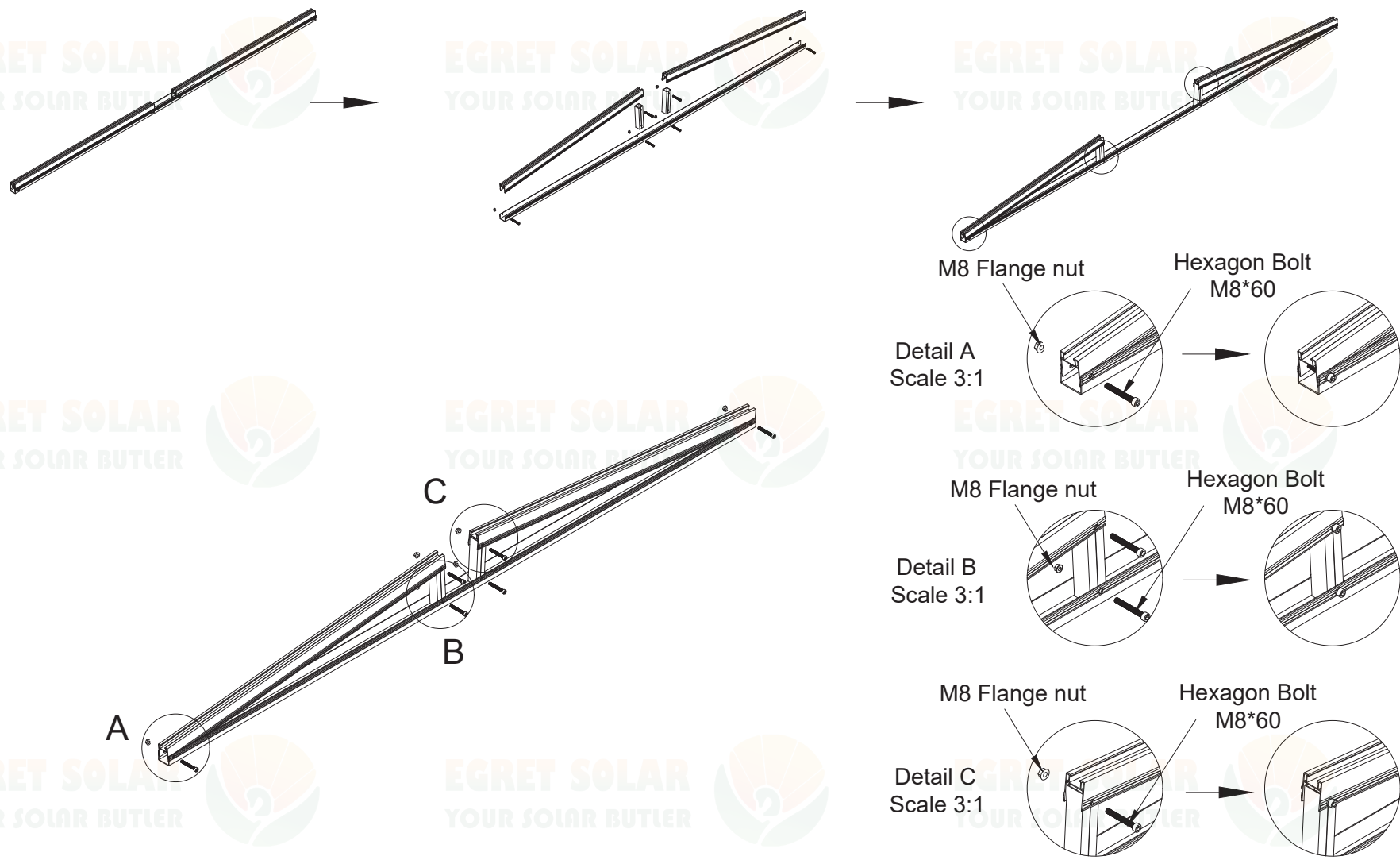
EGRET SOLAR
YOUR SOLAR BUTLER

EGRET SOLAR
YOUR SOLAR BUTLER


EGRET SOLAR
YOUR SOLAR BUTLER

EGRET SOLAR
YOUR SOLAR BUTLER

EGRET SOLAR
YOUR SOLAR BUTLER



Version	Date	Approval	Change mark	Description of Change
A				

Project Name	Flat Roof Ballasted Solar Mounting System	Project No.	EG20088
Design		 厦门鹭伏特新能源科技有限公司 Xiamen Egret Solar New Energy Technology Co., Ltd	
Chk'D			
App'V'D			

EGRET SOLAR
YOUR SOLAR BUTLER



EGRET SOLAR
YOUR SOLAR BUTLER



EGRET SOLAR
YOUR SOLAR BUTLER



EGRET SOLAR
YOUR SOLAR BUTLER



EGRET SOLAR
YOUR SOLAR BUTLER



EGRET SOLAR
YOUR SOLAR BUTLER



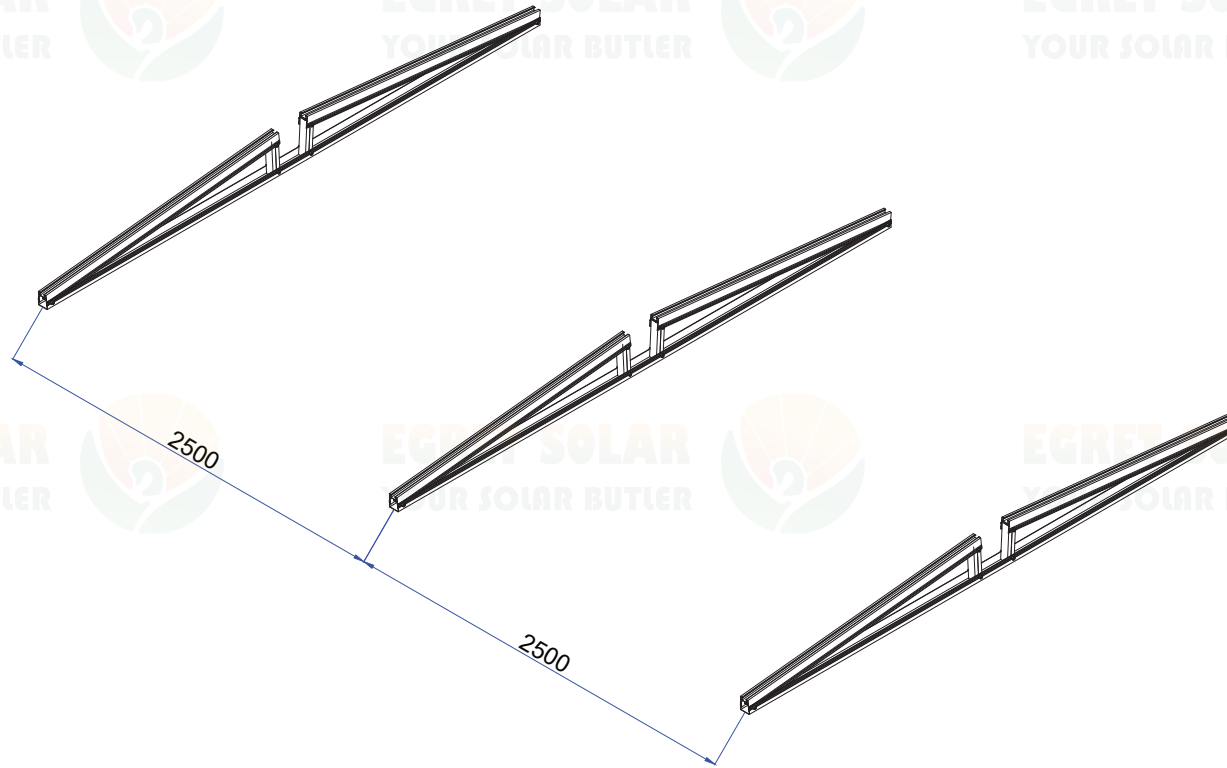
EGRET SOLAR
YOUR SOLAR BUTLER



EGRET SOLAR
YOUR SOLAR BUTLER




EGRET SOLAR
YOUR SOLAR BUTLER



Arrange the preassembled tripod supports at an interval of 1800mm according to the drawing

Version	Date	Approval	Change mark	Description of Change
A				

Project Name	Flat Roof Ballasted Solar Mounting System	Project No.	EG20088
Design		 厦门鹭伏特新能源科技有限公司 Xiamen Egret Solar New Energy Technology Co., Ltd	
Chk'D			
App'V'D			

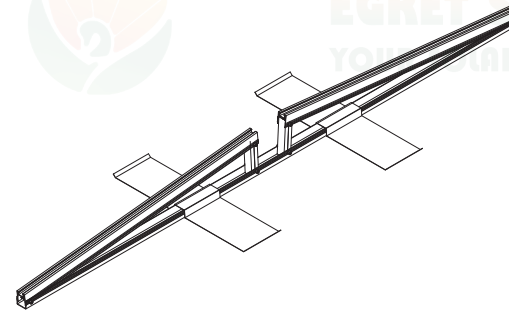
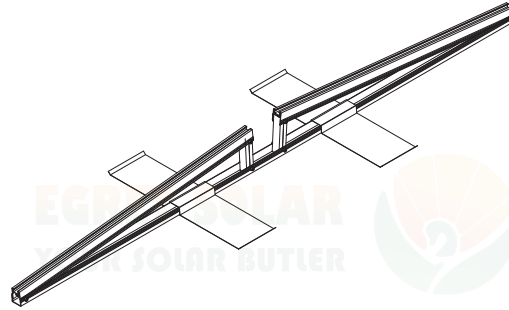
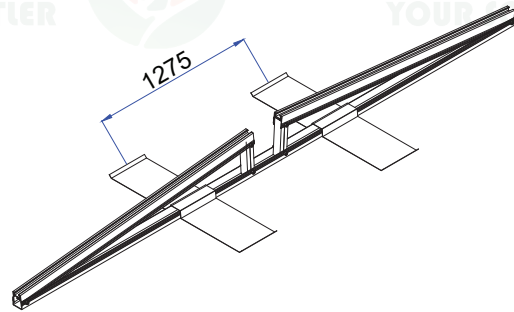
EGRET SOLAR
YOUR SOLAR BUTLER



EGRET SOLAR
YOUR SOLAR BUTLER



EGRET SOLAR
YOUR SOLAR BUTLER



EGRET SOLAR
YOUR SOLAR BUTLER



EGRET SOLAR
YOUR SOLAR BUTLER



EGRET SOLAR
YOUR SOLAR BUTLER



EGRET SOLAR
YOUR SOLAR BUTLER



EGRET SOLAR
YOUR SOLAR BUTLER




EGRET SOLAR
YOUR SOLAR BUTLER

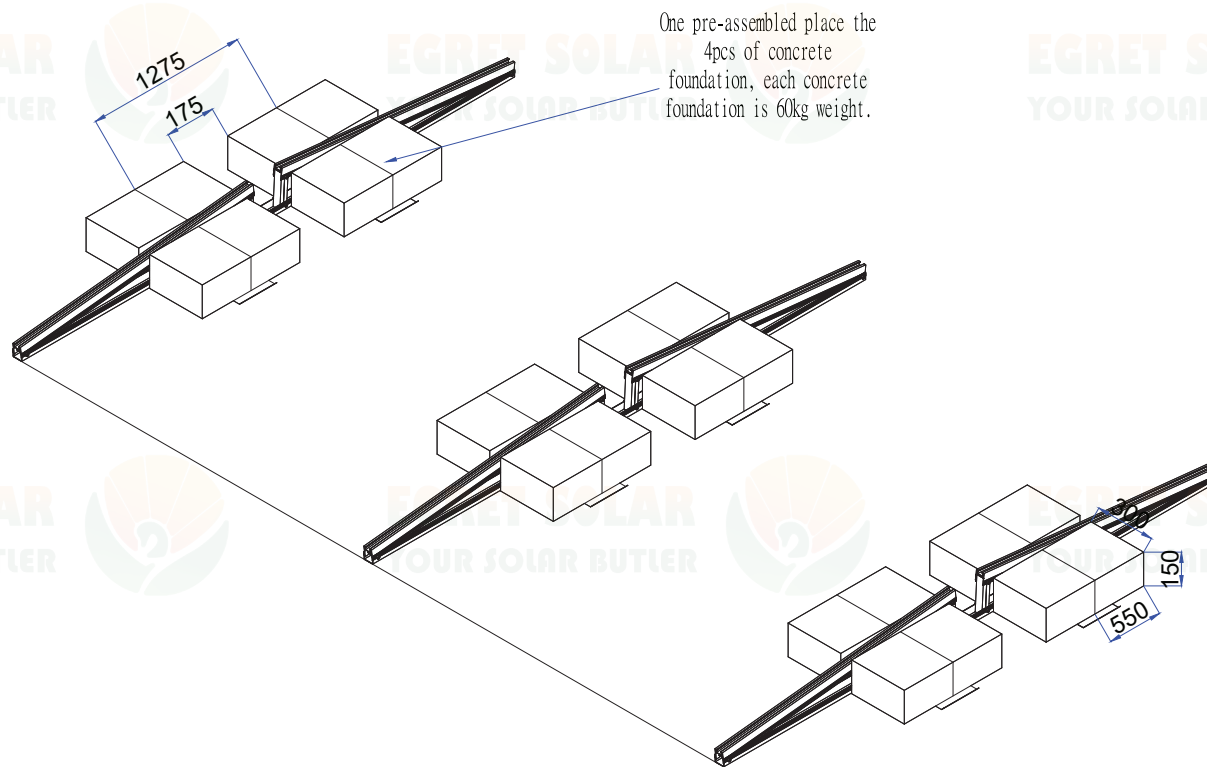


Place the ballast tray in the pre-assembled tripod support in turn, as shown in the figure

Version	Date	Approval	Change mark	Description of Change
A				

Project Name	Flat Roof Ballasted Solar Mounting System	Project No.	EG20088
Design		 厦门鹭伏特新能源科技有限公司 Xiamen Egret Solar New Energy Technology Co., Ltd	
Chk'D			
App'V'D			

EGRET SOLAR
YOUR SOLAR BUTLER



EGRET SOLAR
YOUR SOLAR BUTLER

One pre-assembled place the 4pcs of concrete foundation, each concrete foundation is 60kg weight.

EGRET SOLAR
YOUR SOLAR BUTLER

EGRET SOLAR
YOUR SOLAR BUTLER

EGRET SOLAR
YOUR SOLAR BUTLER

EGRET SOLAR
YOUR SOLAR BUTLER


EGRET SOLAR
YOUR SOLAR BUTLER

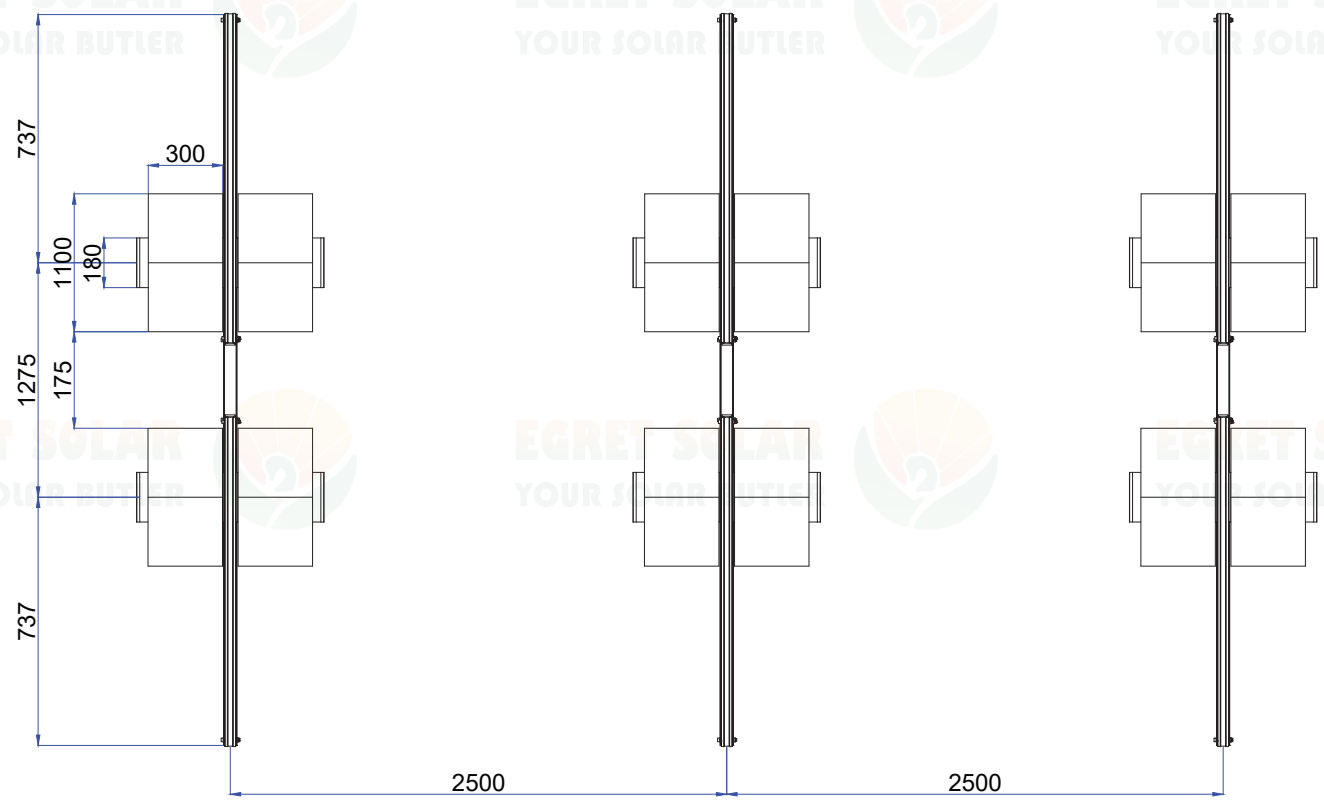
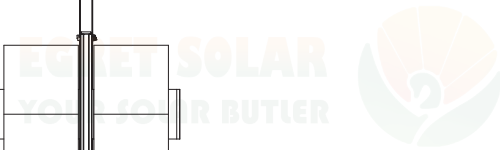
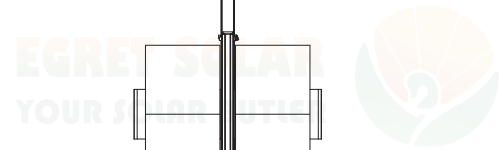
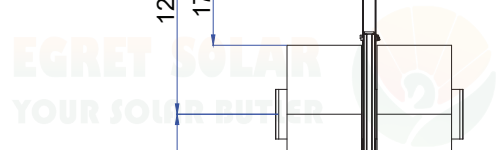
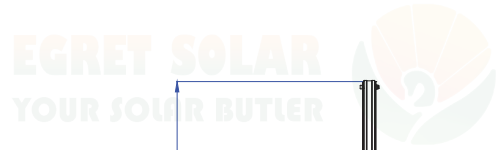
EGRET SOLAR
YOUR SOLAR BUTLER

EGRET SOLAR
YOUR SOLAR BUTLER

Place the cement block on the ballast tray. The dimensions and placement of the cement blocks are shown in the figure


Version	Date	Approval	Change mark	Description of Change
A				

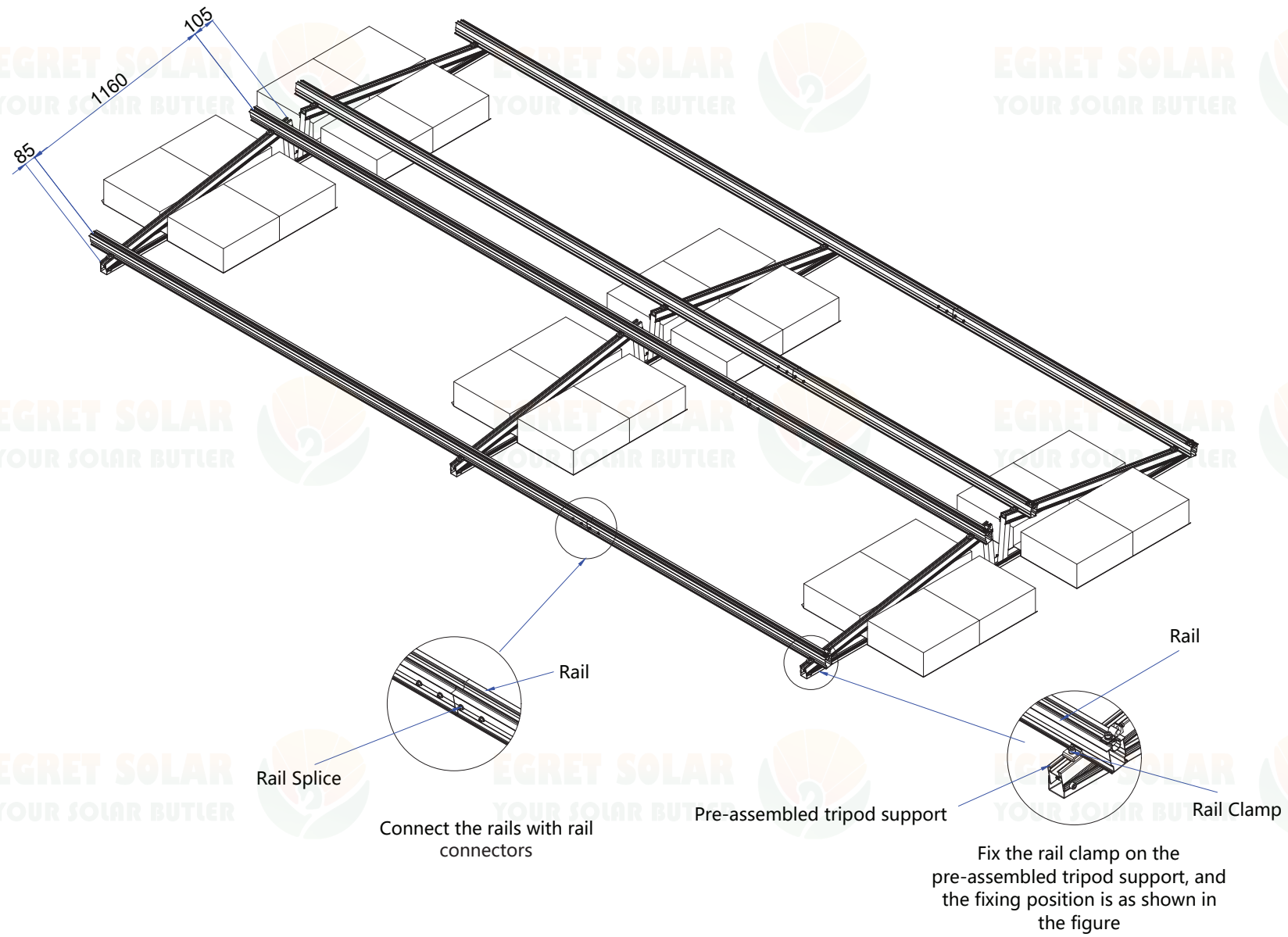
Project Name	Flat Roof Ballasted Solar Mounting System	Project No.	EG20088
Design		 厦门鹭伏特新能源科技有限公司 Xiamen Egret Solar New Energy Technology Co., Ltd	
Chk'D			
App'V'D			




Top view of preassembled tripod support, ballasted tray and cement block

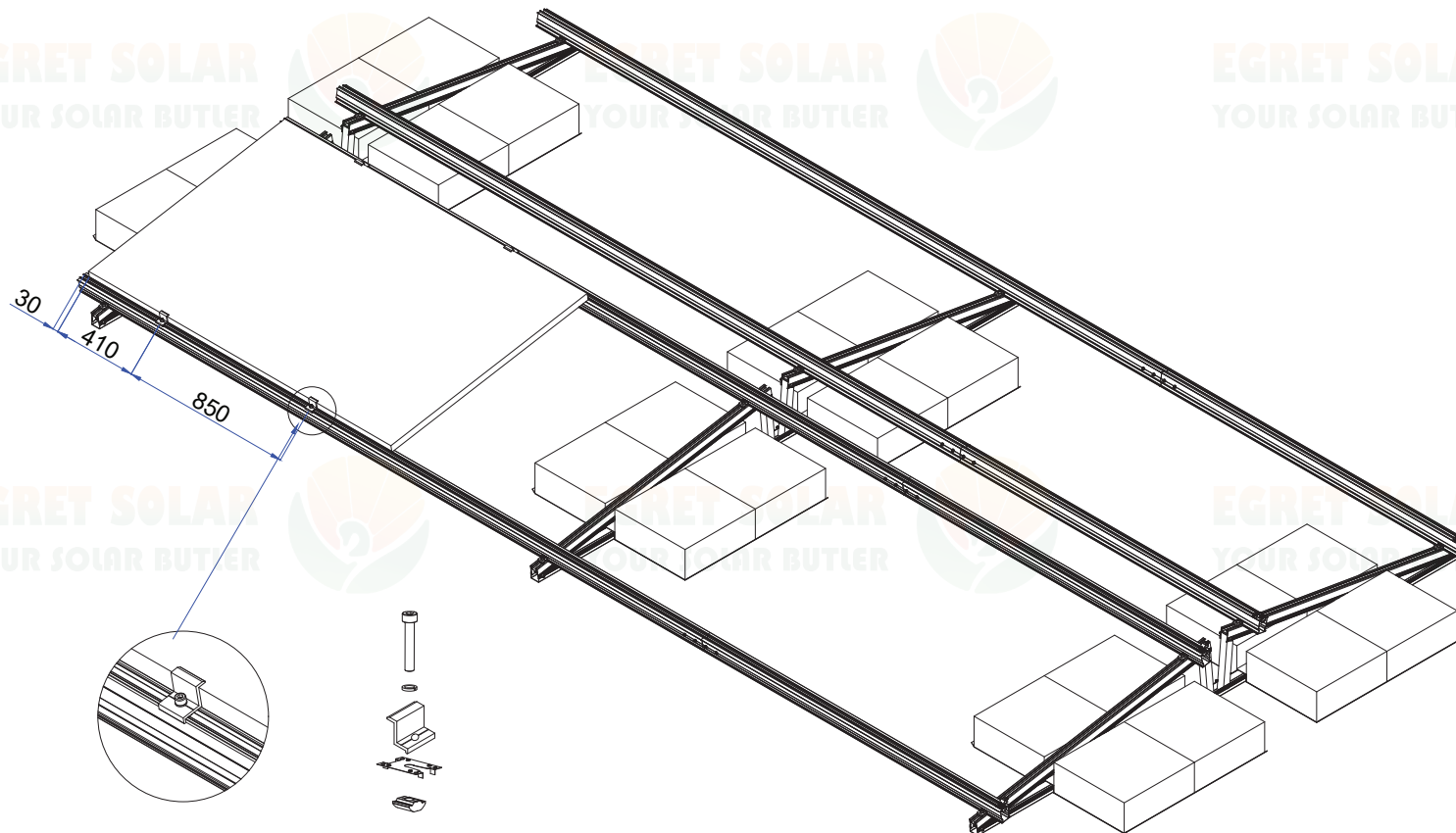
Version	Date	Approval	Change mark	Description of Change
A				

Project Name	Flat Roof Ballasted Solar Mounting System	Project No.	EG20088
Design		 厦门鹭伏特新能源科技有限公司 Xiamen Egret Solar New Energy Technology Co., Ltd	
Chk'D			
App'V'D			



Version	Date	Approval	Change mark	Description of Change
A				


Project Name	Flat Roof Ballasted Solar Mounting System	Project No.	EG20088
Design		 厦门鹭伏特新能源科技有限公司 Xiamen Egret Solar New Energy Technology Co., Ltd	
Chk'D			
App'V'D			



Insert the grounding lug into the bolt of the middle clamp, and fix the solar panels as shown in the figure

Fix the solar panels on the rail, the fixing position is as shown in the figure

Version	Date	Approval	Change mark	Description of Change
A				

Project Name	Flat Roof Ballasted Solar Mounting System	Project No.	EG20088
Design		 厦门鹭伏特新能源科技有限公司 Xiamen Egret Solar New Energy Technology Co., Ltd	
Chk'D			
App'V'D			

EGRET SOLAR
YOUR SOLAR BUTLER

EGRET SOLAR
YOUR SOLAR BUTLER

EGRET SOLAR
YOUR SOLAR BUTLER

EGRET SOLAR
YOUR SOLAR BUTLER

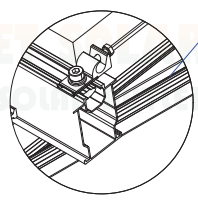
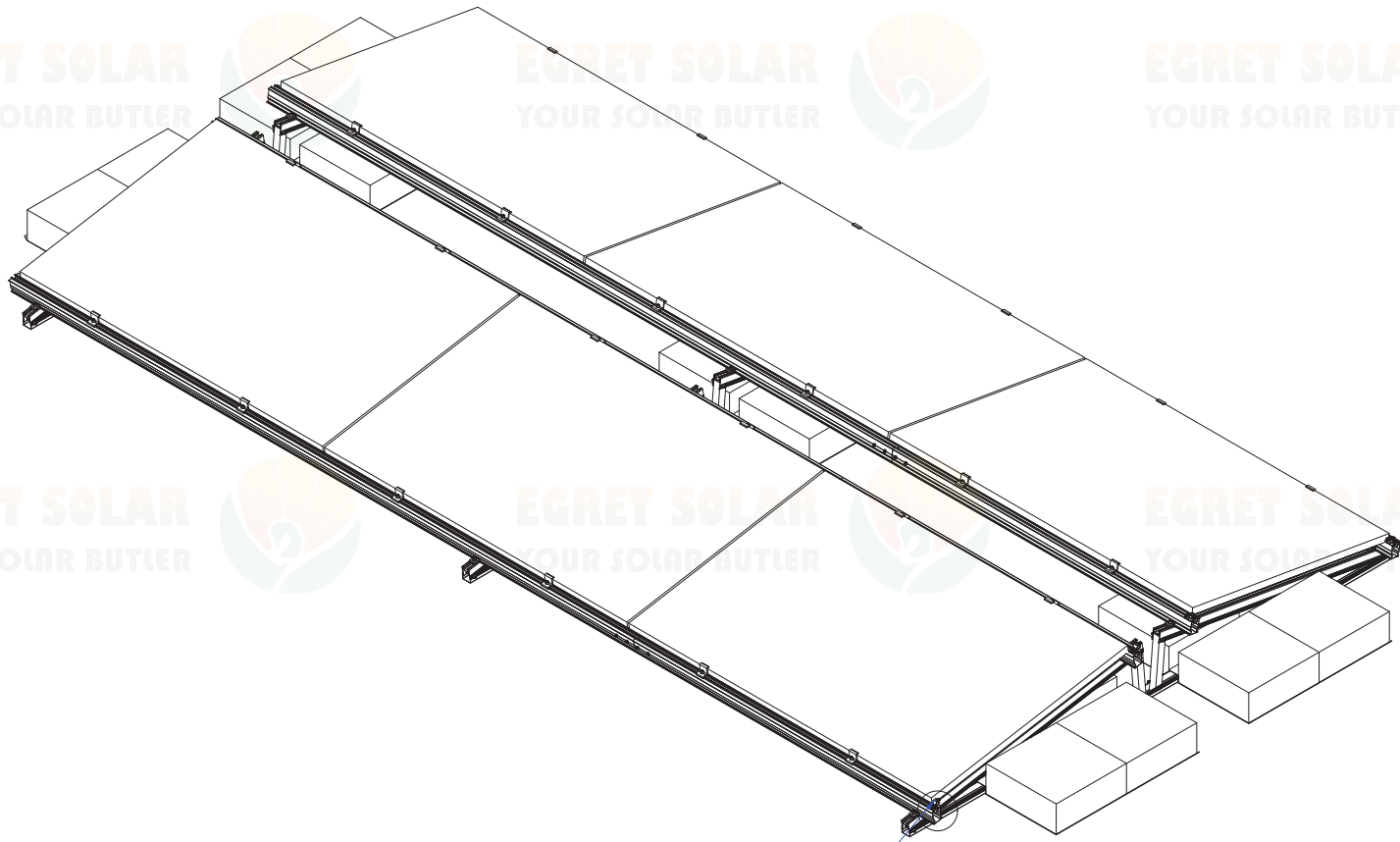
EGRET SOLAR
YOUR SOLAR BUTLER

EGRET SOLAR
YOUR SOLAR BUTLER

EGRET SOLAR
YOUR SOLAR BUTLER


EGRET SOLAR
YOUR SOLAR BUTLER

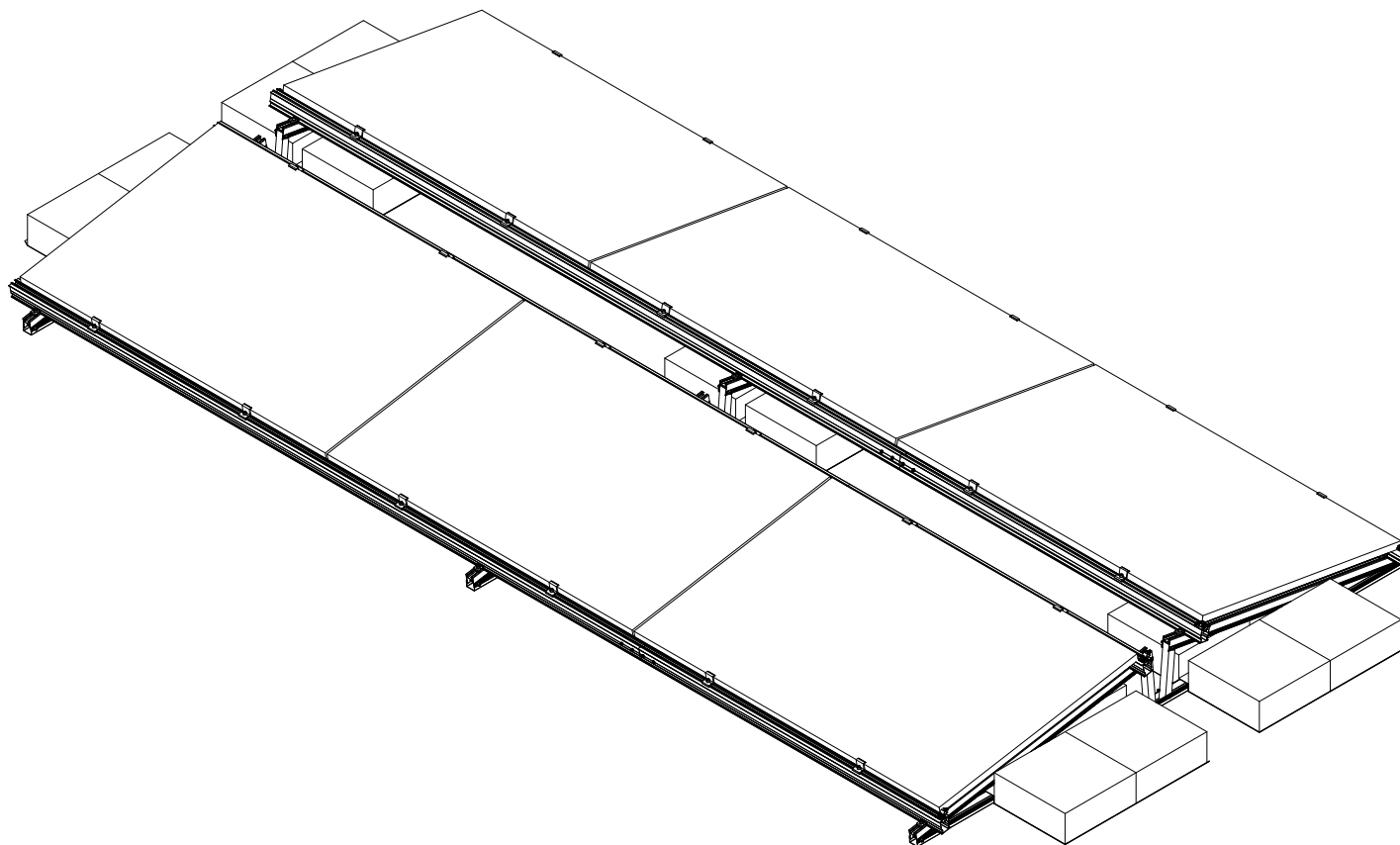
EGRET SOLAR
YOUR SOLAR BUTLER



Fix the solar panels with the middle and end clamps in turn

Version	Date	Approval	Change mark	Description of Change
A				


Project Name	Flat Roof Ballasted Solar Mounting System	Project No.	EG20088
Design		 厦门鹭伏特新能源科技有限公司 Xiamen Egret Solar New Energy Technology Co., Ltd	
Chk'D			
App'V'D			



Installation Complete

Step 9

Version	Date	Approval	Change mark	Description of Change
A				

Project Name	Flat Roof Ballasted Solar Mounting System	Project No.	EG20088
Design		 厦门鹭伏特新能源科技有限公司 Xiamen Egret Solar New Energy Technology Co., Ltd	
Chk'D			
App'V'D			